

# APPROVAL SHEET

## **WW25M**

**±1%, ±5%**

Metal Plate Low Ohm Power Chip Resistors

Size 2512 (6432) 1W

Current Sensing Type

RoHS Exemption free & Halogen free

\*Contents in this sheet are subject to change without prior notice.

## FEATURE

1. Ultra low and stable TCR performance
2. High power rating and compact size
3. High reliability and stability
4. Reduced size of final equipment
5. RoHS compliant and Lead free products
6. Inductance below 1.0 nH

## APPLICATION

- Power supply
- PDA
- Digital meter
- Computer
- Automotives
- Battery charger
- DC-DC power converter

## DESCRIPTION

The resistors are constructed in a high grade low resistive metal body. The resistive layer is covered with a protective coat and printed a resistance marking code over it. Finally, the two external end terminations are added. For ease of soldering the outer layer of these end terminations is Tin (lead-free) solder alloy.

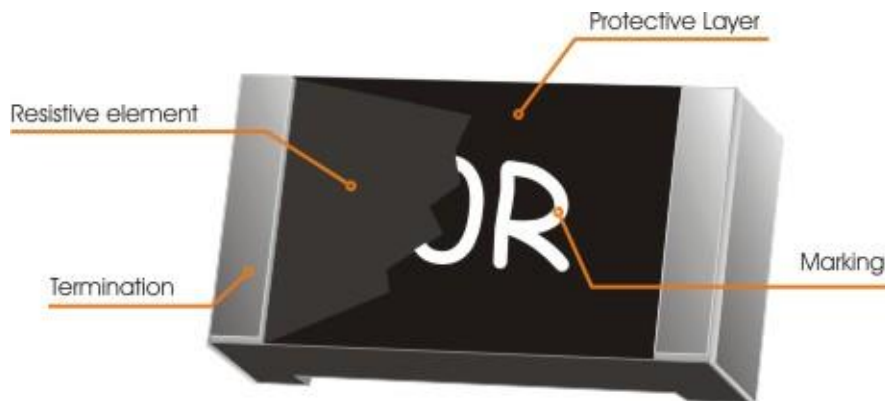
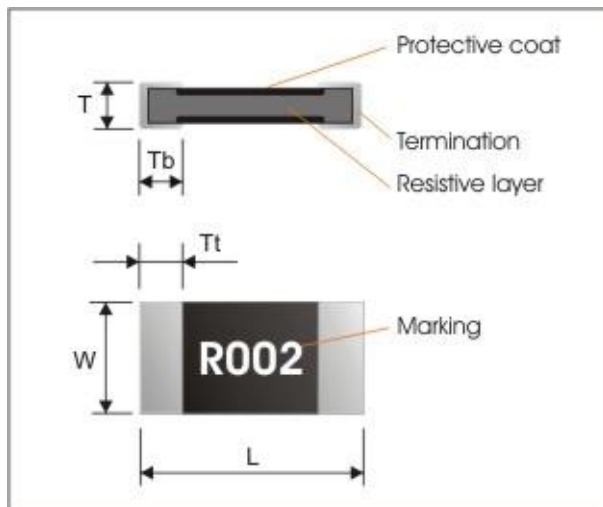


Fig 1. Construction of Chip-R

**QUICK REFERENCE DATA**

| Item                                       | General Specification  |
|--|--|
| Series No.                                 | WW25M  |
| Size code                                  | 2512 ( 6432 )  |
| Resistance Tolerance                       | $\pm 5\%$ ; $\pm 1\%$  |
| Resistance Range                           | 0.001 $\Omega$ , 0.002 $\Omega$ , 0.003 $\Omega$ , 0.004 $\Omega$ , 0.005 $\Omega$ , 0.006 $\Omega$ , 0.007 $\Omega$ , 0.008 $\Omega$ , 0.009 $\Omega$ , 0.010 $\Omega$ , 0.012 $\Omega$ , 0.015 $\Omega$ , 0.020 $\Omega$ , 0.025 $\Omega$ , 0.030 $\Omega$ , 0.033 $\Omega$ , 0.035 $\Omega$ , 0.040 $\Omega$ , 0.050 $\Omega$ , 0.070 $\Omega$ , 0.075 $\Omega$ , 0.080 $\Omega$ , 0.100 $\Omega$ , |
| TCR (ppm/ $^{\circ}$ C)                    | $\leq \pm 70$ ppm/ $^{\circ}$ C  |
| Max. dissipation at $T_{amb}=70^{\circ}$ C | 1 W  |
| Operation temperature                      | -55 ~ +155 $^{\circ}$ C  |

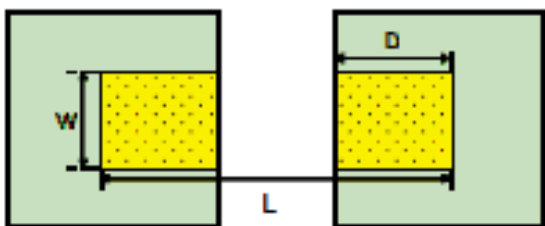
**MECHANICAL DATA**

Unit: mm

| Symbol | R001, R002      | R003 ~ R100     |
|--------|-----------------|-----------------|
| L      | 6.40 $\pm$ 0.25 | 6.20 $\pm$ 0.25 |
| W      | 3.25 $\pm$ 0.20 | 3.25 $\pm$ 0.20 |
| T      | 0.75 $\pm$ 0.20 | 0.60 $\pm$ 0.20 |
| Tt     | 2.00 $\pm$ 0.20 | 0.80 $\pm$ 0.20 |
| Tb     | 2.00 $\pm$ 0.20 | 0.80 $\pm$ 0.20 |

**FOOT PRINT**

| Unit: mm | W    | D    | L    |
|----------|------|------|------|
| WW25M    | 3.70 | 1.60 | 7.60 |



## MARKING

Each resistor is marked with a four-digit code on the protective coating to designate the nominal resistance value.

Example:

$$R005 = 0.005\Omega$$

$$R010 = 0.010\Omega$$

## FUNCTIONAL DESCRIPTION

### Derating curve

The power that the resistor can dissipate depends on the operating temperature; see Fig.2

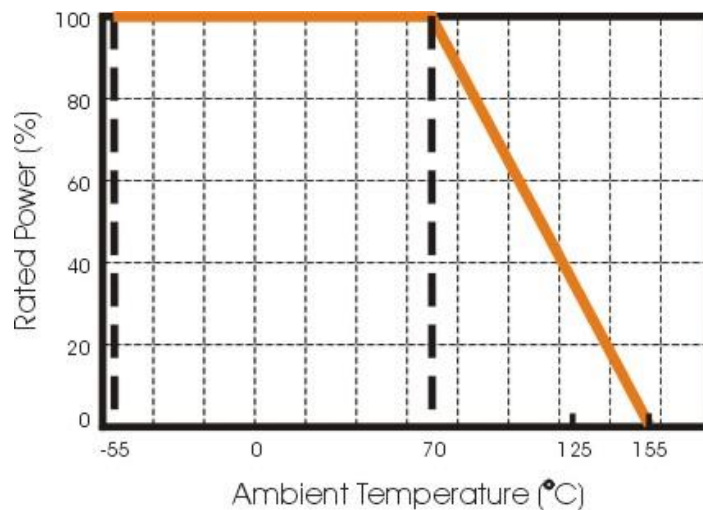


Fig.2 Maximum dissipation in percentage of rated power  
As a function of the ambient temperature

## MOUNTING

Due to their rectangular shapes and small tolerances, Surface Mountable Resistors are suitable for handling by automatic placement systems.

Chip placement can be on ceramic substrates and printed-circuit boards (PCBs).

Electrical connection to the circuit is by individual soldering condition.

The end terminations guarantee a reliable contact.

### SOLDERING CONDITION

The robust construction of chip resistors allows them to be completely immersed in a solder bath of 260°C for 10 seconds. Therefore, it is possible to mount Surface Mount Resistors on one side of a PCB and other discrete components on the reverse (mixed PCBs).

Surface Mount Resistors are tested for solderability at 235°C during 2 seconds. The test condition for no leaching is 260°C for 30 seconds. Typical examples of soldering processes that provide reliable joints without any damage are given in Fig 3.

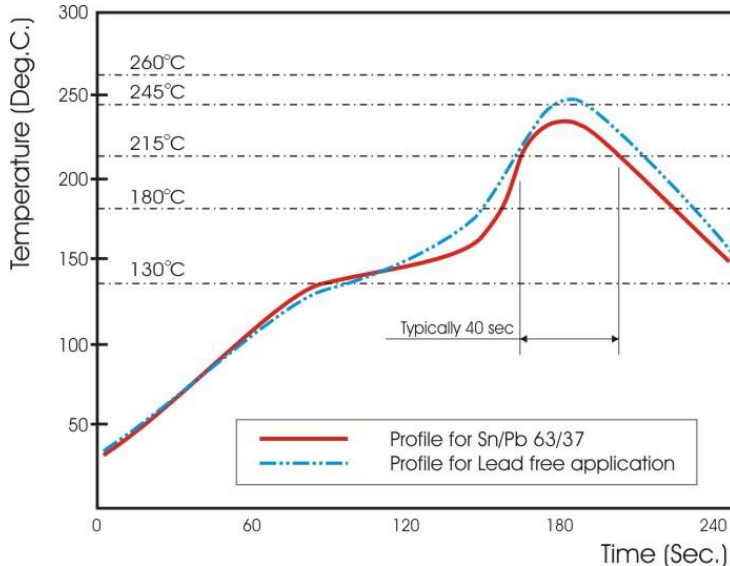


Fig 3. Infrared soldering profile for Chip Resistors WW25

### CATALOGUE NUMBERS

The resistors have a catalogue number starting with .

| WW25                            | M  | R005  | J                                      | T  | L  |
|---------------------------------|--|---|--|--|--|
| <b>Size code</b><br>WW25 : 2512 | <b>Type code</b><br>M : 1W<br>Sensing type | <b>Resistance code</b><br>R is first digit followed by 3 significant digits.<br>0.010Ω = R010<br>0.005Ω = R005<br>0.050Ω = R050 | <b>Tolerance</b><br>J : ±5%<br>F : ±1% | <b>Packaging code</b><br>T : 7" reeled in tape<br>Q : 10" reeled in tape | <b>Termination code</b><br>L = Sn base (lead free) |

Reeled tape packaging : 12mm width plastic taping 4,000pcs per 7" reel; 8,000pcs per 10" reel.

## TEST AND REQUIREMENTS(JIS C 5201-1 : 1998)

Essentially all tests are carried out according to the schedule of IEC publication 115-8, category **LCT/UCT/56**(rated temperature range : **Lower Category Temperature, Upper Category Temperature**; damp heat, long term, 56 days). The testing also meets the requirements specified by EIA, EIAJ and JIS.

The tests are carried out in accordance with IEC publication 68, "Recommended basic climatic and mechanical robustness testing procedure for electronic components" and under standard atmospheric conditions according to IEC 60068-1, subclause 5.3. Unless otherwise specified, the following value supplied :

Temperature: 15 °C to 35 °C.

Relative humidity: 45% to 75%.

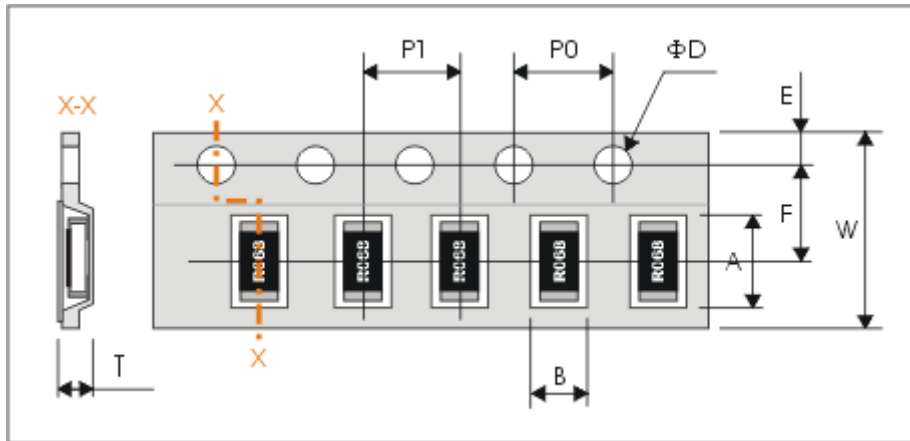
Air pressure: 86kPa to 106 kPa (860 mbar to 1060 mbar).

All soldering tests are performed with mildly activated flux.

| TEST  | PROCEDURE   | REQUIREMENT   |
|---|---|---|
| Temperature Coefficient of Resistance(T.C.R)<br><b>Clause 4.8</b> | Natural resistance change per change in degree centigrade.<br>$\frac{R_2 - R_1}{R_1(t_2 - t_1)} \times 10^6 \text{ (ppm/}^\circ\text{C)}$ $t_1 : 20^\circ\text{C}+5^\circ\text{C}-1^\circ\text{C}$<br>$R_1$ : Resistance at reference temperature<br>$R_2$ : Resistance at test temperature | Refer to<br>"QUICK REFERENCE<br>DATA"                             |
| Short time overload (S.T.O.L)<br><b>Clause 4.13</b>               | Permanent resistance change after a 5second application of a voltage 2.5 times RCWV or the maximum overload voltage specified in the above list, whichever is less.   | no visible damage<br>$\Delta R/R$ max.<br>$\pm(1\%+0.0001\Omega)$ |
| Resistance to soldering heat(R.S.H)<br><b>Clause 4.18</b>         | Un-mounted chips completely immersed for $10\pm 1$ second in a SAC solder bath at $260^\circ\text{C}\pm 5^\circ\text{C}$  | no visible damage<br>$\Delta R/R$ max.<br>$\pm(1\%+0.0001\Omega)$ |
| Solderability<br><b>Clause 4.17</b>                               | Un-mounted chips completely immersed for $2\pm 0.5$ second in a SAC solder bath at $235^\circ\text{C}\pm 5^\circ\text{C}$   | good tinning (>95% covered)<br>no visible damage                  |
| Temperature cycling<br><b>Clause 4.19</b>                         | 30 minutes at $-55^\circ\text{C}\pm 3^\circ\text{C}$ , 2~3 minutes at $20^\circ\text{C}+5^\circ\text{C}-1^\circ\text{C}$ , 30 minutes at $+155^\circ\text{C}\pm 3^\circ\text{C}$ , 2~3 minutes at $20^\circ\text{C}+5^\circ\text{C}-1^\circ\text{C}$ , total 5 continuous cycles            | no visible damage<br>$\Delta R/R$ max.<br>$\pm(1\%+0.0005\Omega)$ |
| Load life (endurance)<br><b>Clause 4.25</b>                       | 1000 +48/-0 hours, loaded with RCWV or $V_{\text{max}}$ in chamber controller $70\pm 2^\circ\text{C}$ , 1.5 hours on and 0.5 hours off  | no visible damage<br>$\Delta R/R$ max.<br>$\pm(1\%+0.0005\Omega)$ |
| Load life in Humidity<br><b>Clause 4.24</b>                       | 1000 +48/-0 hours, loaded with RCWV or $V_{\text{max}}$ in humidity chamber controller at $40^\circ\text{C}\pm 2^\circ\text{C}$ and 90~95% relative humidity, 1.5hours on and 0.5 hours off   | no visible damage<br>$\Delta R/R$ max.<br>$\pm(1\%+0.0005\Omega)$ |
| Adhesion<br><b>Clause 4.32</b>                                    | Pressurizing force: 5N, Test time: $10\pm 1$ sec.   | No remarkable damage or removal of the terminations               |

**PACKAGING**

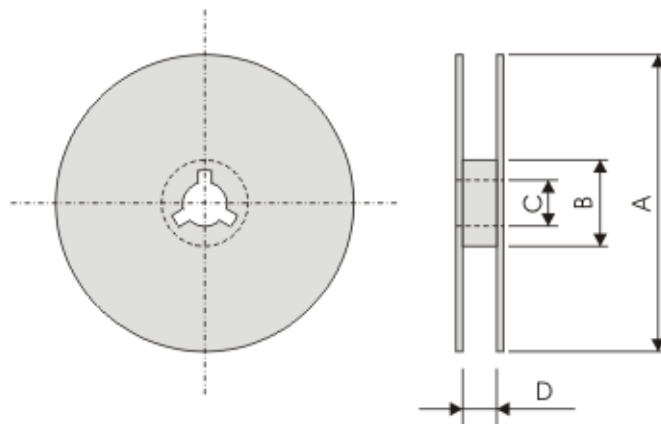
Plastic Tape specifications (unit :mm)



|            |           |           |            |          |           |
|------------|-----------|-----------|------------|----------|-----------|
| Symbol     | A         | B         | W          | F        | E         |
| Dimensions | 6.75±0.20 | 3.50±0.20 | 12.00±0.30 | 5.50±0.1 | 1.75±0.10 |

|            |           |           |                                       |          |
|------------|-----------|-----------|---------------------------------------|----------|
| Symbol     | P1        | P0        | ΦD                                    | T        |
| Dimensions | 4.00±0.10 | 4.00±0.10 | Φ1.50 <sup>+0.1</sup> <sub>-0.0</sub> | Max. 1.2 |

**Reel dimensions**



|          |            |            |          |          |
|----------|------------|------------|----------|----------|
| Symbol   | A          | B          | C        | D        |
| 7" reel  | Φ178.0±2.0 | Φ60.0±1.0  | 13.0±0.2 | 12.4±1.0 |
| 10" reel | Φ254.0±2.0 | Φ100.0±1.0 | 13.0±0.2 | 14.0±0.2 |

**Taping quantity**

- Chip resistors 4,000 pcs per 7" reel.
- Chip resistors 8,000 pcs per 10" reel.